

Descripción del artículo/Imágenes del producto

**Descripción****Material:**

Elastómero NBR.
Aro de refuerzo y resorte de tracción de acero.

Versión:

Dureza Shore ~70, negro.

Indicación:

Los anillos radiales obturadores del árbol son juntas listas para instalar para sellar árboles giratorios. Están formados por una envoltura exterior de elastómero con una chapa metálica interior de refuerzo. El resorte de tracción se encarga de intensificar la presión de contacto del labio de junta sobre el árbol, contribuyendo así a la hermeticidad en estado estático.

Forma A: Modelo según DIN 3760 (ISO 6194/1) Diámetro exterior liso.

Forma AS: Modelo según DIN 3760 (ISO 6194/0) Diámetro exterior liso con labio guardapolvo adicional para prevenir que penetre suciedad del exterior.

El material NBR posee una elevada resistencia a la abrasión y es inalterable frente a combustibles, aceites, aceites hidráulicos y grasas lubricantes.

Límites funcionales de uso:

Velocidad periférica (m/s): ≤ 12

Presión (MPa/bar): $\leq 0,05/0,5$ (Los anillos radiales obturadores del árbol están diseñados, en general, para operar sin presión).

Rango de temperatura:

De -40 °C a $+100\text{ °C}$.

Tolerancias:

Carcasa:

Se recomienda la tolerancia H8.

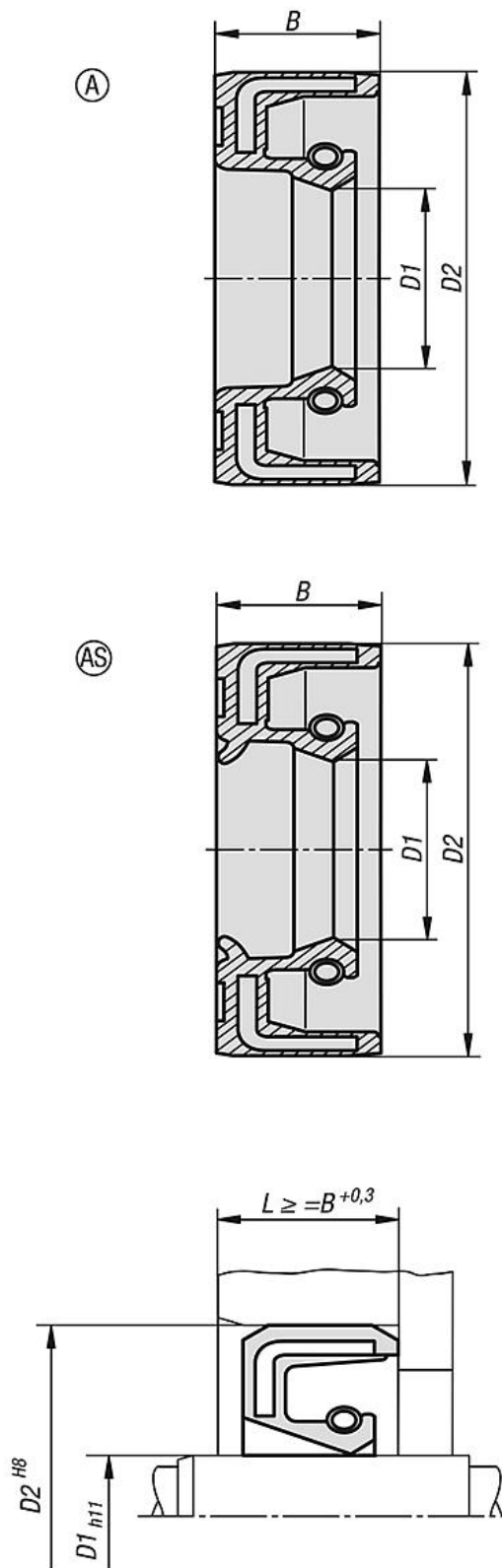
Rugosidad superficial Ra de 1,6 a 6,3 μm .

Árbol:

Se recomienda la tolerancia de h11.

Rugosidad superficial Ra de 0,2 a 0,8 μm .

El árbol debería tener una dureza de 45 HRC.



Nuestros productos

Referencia	Forma	D1	D2	B
23915-11061605	A	6	16	5
23915-11061607	A	6	16	7

Nuestros productos

Referencia	Forma	D1	D2	B
23915-11062207	A	6	22	7
23915-11072207	A	7	22	7
23915-11082207	A	8	22	7
23915-11101907	A	10	19	7
23915-11102207	A	10	22	7
23915-11102407	A	10	24	7
23915-11102607	A	10	26	7
23915-11121905	A	12	19	5
23915-11122205	A	12	22	5
23915-11122206	A	12	22	6
23915-11122207	A	12	22	7
23915-11122407	A	12	24	7
23915-11122807	A	12	28	7
23915-11123007	A	12	30	7
23915-11123207	A	12	32	7
23915-11142407	A	14	24	7
23915-11143007	A	14	30	7
23915-11152407	A	15	24	7
23915-11152505	A	15	25	5
23915-11152607	A	15	26	7
23915-11153007	A	15	30	7
23915-11153207	A	15	32	7
23915-11153507	A	15	35	7
23915-11154010	A	15	40	10
23915-11162807	A	16	28	7
23915-11163007	A	16	30	7
23915-11163207	A	16	32	7
23915-11163507	A	16	35	7
23915-11172807	A	17	28	7
23915-11172905	A	17	29	5
23915-11173007	A	17	30	7
23915-11173207	A	17	32	7
23915-11173507	A	17	35	7
23915-11174007	A	17	40	7
23915-11174010	A	17	40	10
23915-11182807	A	18	28	7
23915-11183007	A	18	30	7
23915-11183207	A	18	32	7
23915-11183507	A	18	35	7
23915-11193207	A	19	32	7
23915-11203005	A	20	30	5
23915-11203007	A	20	30	7
23915-11203207	A	20	32	7
23915-11203507	A	20	35	7
23915-11203510	A	20	35	10
23915-11203607	A	20	36	7
23915-11204007	A	20	40	7
23915-11204207	A	20	42	7
23915-11204707	A	20	47	7
23915-11204710	A	20	47	10
23915-11205207	A	20	52	7
23915-11205210	A	20	52	10
23915-11223207	A	22	32	7
23915-11223507	A	22	35	7
23915-11223808	A	22	38	8
23915-11224007	A	22	40	7
23915-11224010	A	22	40	10
23915-11224707	A	22	47	7
23915-11243507	A	24	35	7
23915-11243707	A	24	37	7
23915-11244007	A	24	40	7
23915-11253507	A	25	35	7
23915-11253705	A	25	37	5
23915-11253707	A	25	37	7
23915-11253807	A	25	38	7

Nuestros productos

Referencia	Forma	D1	D2	B
23915-11254005	A	25	40	5
23915-11254007	A	25	40	7
23915-11254008	A	25	40	8
23915-11254010	A	25	40	10
23915-11254207	A	25	42	7
23915-11254210	A	25	42	10
23915-11254510	A	25	45	10
23915-11254707	A	25	47	7
23915-11254710	A	25	47	10
23915-11255010	A	25	50	10
23915-11255207	A	25	52	7
23915-11255208	A	25	52	8
23915-11255210	A	25	52	10
23915-11256207	A	25	62	7
23915-11256210	A	25	62	10
23915-11263707	A	26	37	7
23915-11263807	A	26	38	7
23915-11264707	A	26	47	7
23915-11273707	A	27	37	7
23915-11283807	A	28	38	7
23915-11284007	A	28	40	7
23915-11284207	A	28	42	7
23915-11284208	A	28	42	8
23915-11284707	A	28	47	7
23915-11285207	A	28	52	7
23915-11285210	A	28	52	10
23915-11304007	A	30	40	7
23915-11304207	A	30	42	7
23915-11304208	A	30	42	8
23915-11304507	A	30	45	7
23915-11304508	A	30	45	8
23915-11304707	A	30	47	7
23915-11304708	A	30	47	8
23915-11304710	A	30	47	10
23915-11305007	A	30	50	7
23915-11305010	A	30	50	10
23915-11305207	A	30	52	7
23915-11305208	A	30	52	8
23915-11305210	A	30	52	10
23915-11305507	A	30	55	7
23915-11305510	A	30	55	10
23915-11306207	A	30	62	7
23915-11306210	A	30	62	10
23915-11307210	A	30	72	10
23915-11324207	A	32	42	7
23915-11324507	A	32	45	7
23915-11324707	A	32	47	7
23915-11325008	A	32	50	8
23915-11325010	A	32	50	10
23915-11325207	A	32	52	7
23915-11326210	A	32	62	10
23915-11334507	A	33	45	7
23915-11346210	A	34	62	10
23915-11354507	A	35	45	7
23915-11354707	A	35	47	7
23915-11355007	A	35	50	7
23915-11355008	A	35	50	8
23915-11355010	A	35	50	10
23915-11355207	A	35	52	7
23915-11355208	A	35	52	8
23915-11355210	A	35	52	10
23915-11355508	A	35	55	8
23915-11355510	A	35	55	10
23915-11355610	A	35	56	10
23915-11355810	A	35	58	10

Nuestros productos

Referencia	Forma	D1	D2	B
23915-11356207	A	35	62	7
23915-11356208	A	35	62	8
23915-11356210	A	35	62	10
23915-11357210	A	35	72	10
23915-11357212	A	35	72	12
23915-11358012	A	35	80	12
23915-11364707	A	36	47	7
23915-11365007	A	36	50	7
23915-11385007	A	38	50	7
23915-11385207	A	38	52	7
23915-11386210	A	38	62	10
23915-11387210	A	38	72	10
23915-11405207	A	40	52	7
23915-11405208	A	40	52	8
23915-11405507	A	40	55	7
23915-11405508	A	40	55	8
23915-11405608	A	40	56	8
23915-11405810	A	40	58	10
23915-11406010	A	40	60	10
23915-11406207	A	40	62	7
23915-11406208	A	40	62	8
23915-11406210	A	40	62	10
23915-11406510	A	40	65	10
23915-11406808	A	40	68	8
23915-11406810	A	40	68	10
23915-11407207	A	40	72	7
23915-11407210	A	40	72	10
23915-11408010	A	40	80	10
23915-11425507	A	42	55	7
23915-11425508	A	42	55	8
23915-11426207	A	42	62	7
23915-11426208	A	42	62	8
23915-11426210	A	42	62	10
23915-11426510	A	42	65	10
23915-11427208	A	42	72	8
23915-11427210	A	42	72	10
23915-11446010	A	44	60	10
23915-11446210	A	44	62	10
23915-11446510	A	44	65	10
23915-11455807	A	45	58	7
23915-11456007	A	45	60	7
23915-11456008	A	45	60	8
23915-11456010	A	45	60	10
23915-11456510	A	45	65	10
23915-11456208	A	45	62	8
23915-11456210	A	45	62	10
23915-11456508	A	45	65	8
23915-11457208	A	45	72	8
23915-11457210	A	45	72	10
23915-11457508	A	45	75	8
23915-11457510	A	45	75	10
23915-11458010	A	45	80	10
23915-11458510	A	45	85	10
23915-11486208	A	48	62	8
23915-11486510	A	48	65	10
23915-11487207	A	48	72	7
23915-11487208	A	48	72	8
23915-11487210	A	48	72	10
23915-11506207	A	50	62	7
23915-11506508	A	50	65	8
23915-11506510	A	50	65	10
23915-11506808	A	50	68	8
23915-11506810	A	50	68	10
23915-11507010	A	50	70	10
23915-11507208	A	50	72	8

Nuestros productos

Referencia	Forma	D1	D2	B
23915-11507210	A	50	72	10
23915-11507212	A	50	72	12
23915-11507510	A	50	75	10
23915-11508008	A	50	80	8
23915-11508010	A	50	80	10
23915-11508510	A	50	85	10
23915-11509010	A	50	90	10
23915-12061605	AS	6	16	5
23915-12061607	AS	6	16	7
23915-12062207	AS	6	22	7
23915-12082207	AS	8	22	7
23915-12101907	AS	10	19	7
23915-12102207	AS	10	22	7
23915-12102407	AS	10	24	7
23915-12102607	AS	10	26	7
23915-12121905	AS	12	19	5
23915-12122205	AS	12	22	5
23915-12122206	AS	12	22	6
23915-12122207	AS	12	22	7
23915-12122407	AS	12	24	7
23915-12122807	AS	12	28	7
23915-12123007	AS	12	30	7
23915-12123207	AS	12	32	7
23915-12142407	AS	14	24	7
23915-12143007	AS	14	30	7
23915-12152407	AS	15	24	7
23915-12152505	AS	15	25	5
23915-12152607	AS	15	26	7
23915-12153007	AS	15	30	7
23915-12153207	AS	15	32	7
23915-12153507	AS	15	35	7
23915-12162807	AS	16	28	7
23915-12163007	AS	16	30	7
23915-12163207	AS	16	32	7
23915-12172807	AS	17	28	7
23915-12173007	AS	17	30	7
23915-12173507	AS	17	35	7
23915-12174007	AS	17	40	7
23915-12182807	AS	18	28	7
23915-12183207	AS	18	32	7
23915-12183507	AS	18	35	7
23915-12193007	AS	19	30	7
23915-12193207	AS	19	32	7
23915-12203005	AS	20	30	5
23915-12203007	AS	20	30	7
23915-12203207	AS	20	32	7
23915-12203507	AS	20	35	7
23915-12203510	AS	20	35	10
23915-12203607	AS	20	36	7
23915-12204007	AS	20	40	7
23915-12204207	AS	20	42	7
23915-12204707	AS	20	47	7
23915-12204710	AS	20	47	10
23915-12205207	AS	20	52	7
23915-12205210	AS	20	52	10
23915-12223207	AS	22	32	7
23915-12223507	AS	22	35	7
23915-12223808	AS	22	38	8
23915-12224007	AS	22	40	7
23915-12224010	AS	22	40	10
23915-12224707	AS	22	47	7
23915-12243507	AS	24	35	7
23915-12244007	AS	24	40	7
23915-12253507	AS	25	35	7
23915-12253707	AS	25	37	7

Nuestros productos

Referencia	Forma	D1	D2	B
23915-12253807	AS	25	38	7
23915-12254005	AS	25	40	5
23915-12254007	AS	25	40	7
23915-12254008	AS	25	40	8
23915-12254010	AS	25	40	10
23915-12254207	AS	25	42	7
23915-12254210	AS	25	42	10
23915-12254510	AS	25	45	10
23915-12254707	AS	25	47	7
23915-12254710	AS	25	47	10
23915-12255010	AS	25	50	10
23915-12255207	AS	25	52	7
23915-12255208	AS	25	52	8
23915-12255210	AS	25	52	10
23915-12256210	AS	25	62	10
23915-12263707	AS	26	37	7
23915-12264707	AS	26	47	7
23915-12273707	AS	27	37	7
23915-12283807	AS	28	38	7
23915-12284007	AS	28	40	7
23915-12284207	AS	28	42	7
23915-12284208	AS	28	42	8
23915-12284707	AS	28	47	7
23915-12285207	AS	28	52	7
23915-12285210	AS	28	52	10
23915-12304007	AS	30	40	7
23915-12304207	AS	30	42	7
23915-12304208	AS	30	42	8
23915-12304508	AS	30	45	8
23915-12304607	AS	30	46	7
23915-12304707	AS	30	47	7
23915-12304708	AS	30	47	8
23915-12304710	AS	30	47	10
23915-12305007	AS	30	50	7
23915-12305010	AS	30	50	10
23915-12305207	AS	30	52	7
23915-12305208	AS	30	52	8
23915-12305210	AS	30	52	10
23915-12305507	AS	30	55	7
23915-12305510	AS	30	55	10
23915-12306207	AS	30	62	7
23915-12306210	AS	30	62	10
23915-12307210	AS	30	72	10
23915-12324207	AS	32	42	7
23915-12324507	AS	32	45	7
23915-12324707	AS	32	47	7
23915-12325008	AS	32	50	8
23915-12325207	AS	32	52	7
23915-12326210	AS	32	62	10
23915-12354707	AS	35	47	7
23915-12355008	AS	35	50	8
23915-12355010	AS	35	50	10
23915-12355207	AS	35	52	7
23915-12355208	AS	35	52	8
23915-12355508	AS	35	55	8
23915-12355510	AS	35	55	10
23915-12355810	AS	35	58	10
23915-12356207	AS	35	62	7
23915-12356208	AS	35	62	8
23915-12356210	AS	35	62	10
23915-12357210	AS	35	72	10
23915-12358012	AS	35	80	12
23915-12364707	AS	36	47	7
23915-12365007	AS	36	50	7
23915-12365207	AS	36	52	7

Nuestros productos

Referencia	Forma	D1	D2	B
23915-12385007	AS	38	50	7
23915-12385207	AS	38	52	7
23915-12385507	AS	38	55	7
23915-12386210	AS	38	62	10
23915-12387210	AS	38	72	10
23915-12405207	AS	40	52	7
23915-12405507	AS	40	55	7
23915-12405508	AS	40	55	8
23915-12405608	AS	40	56	8
23915-12405810	AS	40	58	10
23915-12406010	AS	40	60	10
23915-12406207	AS	40	62	7
23915-12406208	AS	40	62	8
23915-12406210	AS	40	62	10
23915-12406510	AS	40	65	10
23915-12406810	AS	40	68	10
23915-12407207	AS	40	72	7
23915-12407210	AS	40	72	10
23915-12408010	AS	40	80	10
23915-12425507	AS	42	55	7
23915-12425508	AS	42	55	8
23915-12426207	AS	42	62	7
23915-12426208	AS	42	62	8
23915-12426210	AS	42	62	10
23915-12427208	AS	42	72	8
23915-12455807	AS	45	58	7
23915-12456008	AS	45	60	8
23915-12456010	AS	45	60	10
23915-12456510	AS	45	65	10
23915-12456208	AS	45	62	8
23915-12456210	AS	45	62	10
23915-12456508	AS	45	65	8
23915-12457210	AS	45	72	10
23915-12457508	AS	45	75	8
23915-12457510	AS	45	75	10
23915-12458010	AS	45	80	10
23915-12458510	AS	45	85	10
23915-12486208	AS	48	62	8
23915-12486510	AS	48	65	10
23915-12487207	AS	48	72	7
23915-12487208	AS	48	72	8
23915-12487210	AS	48	72	10
23915-12506207	AS	50	62	7
23915-12506508	AS	50	65	8
23915-12506510	AS	50	65	10
23915-12506808	AS	50	68	8
23915-12506810	AS	50	68	10
23915-12507010	AS	50	70	10
23915-12507208	AS	50	72	8
23915-12507210	AS	50	72	10
23915-12507212	AS	50	72	12
23915-12507510	AS	50	75	10
23915-12508008	AS	50	80	8
23915-12508010	AS	50	80	10
23915-12508510	AS	50	85	10
23915-12509010	AS	50	90	10

