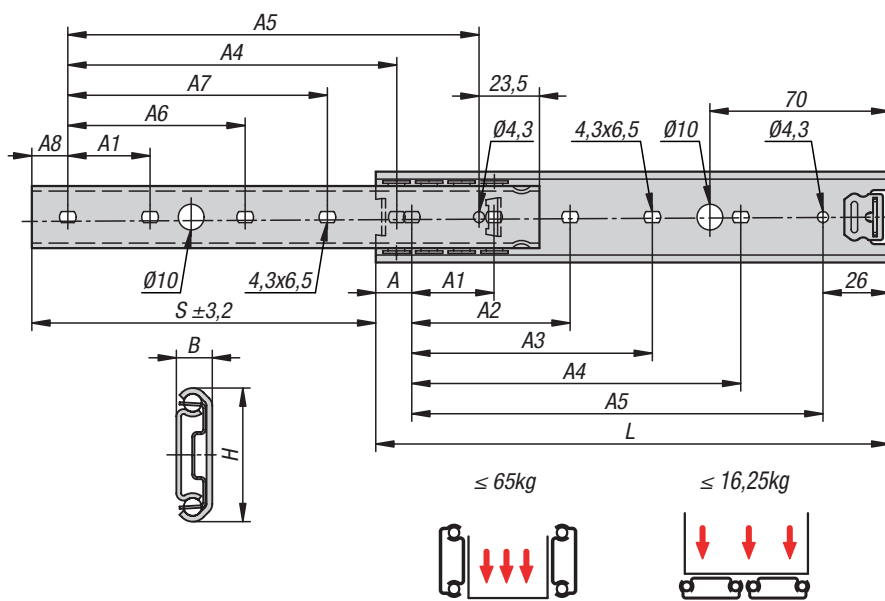


kg 65kg

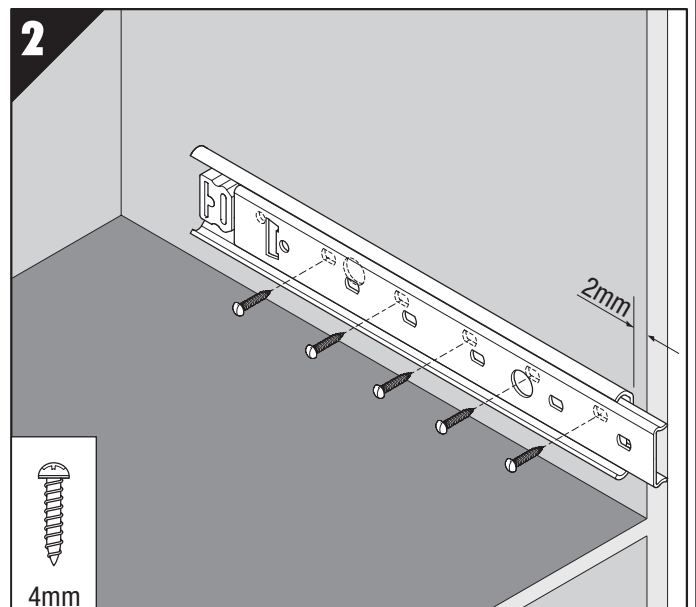
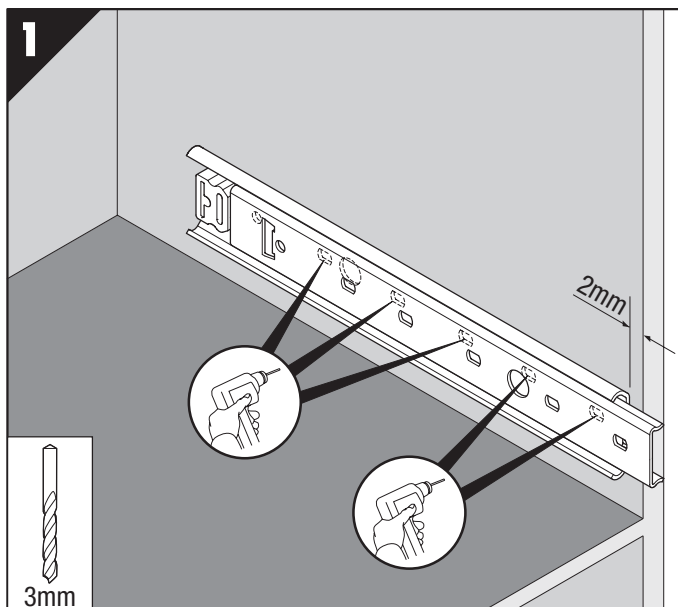
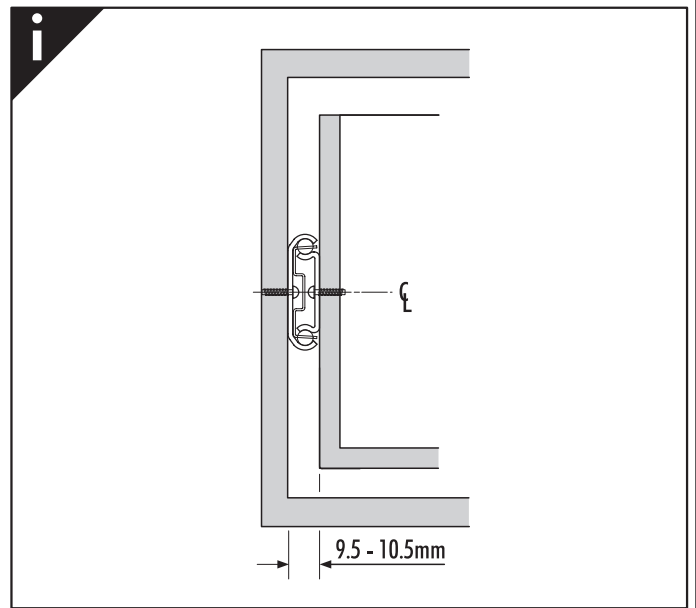


Order No.	Assembly	Product type	Load capacity per pair (80,000 cycles) kg	Loading pair (10,000 cycles) kg	Packaging type
21334-50-0300	side mounting	standard	60	65	1 piece = 1 pair
21334-50-0350	side mounting	standard	57	63	1 piece = 1 pair
21334-50-0400	side mounting	standard	54	59	1 piece = 1 pair
21334-50-0450	side mounting	standard	50	57	1 piece = 1 pair
21334-50-0500	side mounting	standard	47	53	1 piece = 1 pair
21334-50-0550	side mounting	standard	45	50	1 piece = 1 pair
21334-50-0600	side mounting	standard	43	46	1 piece = 1 pair
21334-50-0650	side mounting	standard	41	43	1 piece = 1 pair
21334-50-0700	side mounting	standard	40	42	1 piece = 1 pair

Order No.	A	A1	A2	A3	A4	A5	A6	A7	A8	B	H	Travel S	L
21334-50-0300	18	32	-	-	224	256	128	160	17,5	9,5	35,34	209	300
21334-50-0350	36	32	-	-	256	288	160	192	35,5	9,5	35,34	245	350
21334-50-0400	22	32	160	192	320	352	160	192	21,5	9,5	35,34	282	400
21334-50-0450	8	32	224	256	384	416	224	256	7,5	9,5	35,34	320	450
21334-50-0500	26	32	224	256	416	448	224	256	25,5	9,5	35,34	357	500
21334-50-0550	12	32	288	320	480	512	288	320	11,5	9,5	35,34	394	550
21334-50-0600	30	32	288	320	512	544	288	320	29,5	9,5	35,34	432	600
21334-50-0650	16	32	352	384	576	608	352	384	15,5	9,5	35,34	469	650
21334-50-0700	34	32	352	384	608	640	352	384	33,5	9,5	35,34	506	700

Schienenbefestigung 21334-50 Slide installation 21334-50

DE EN

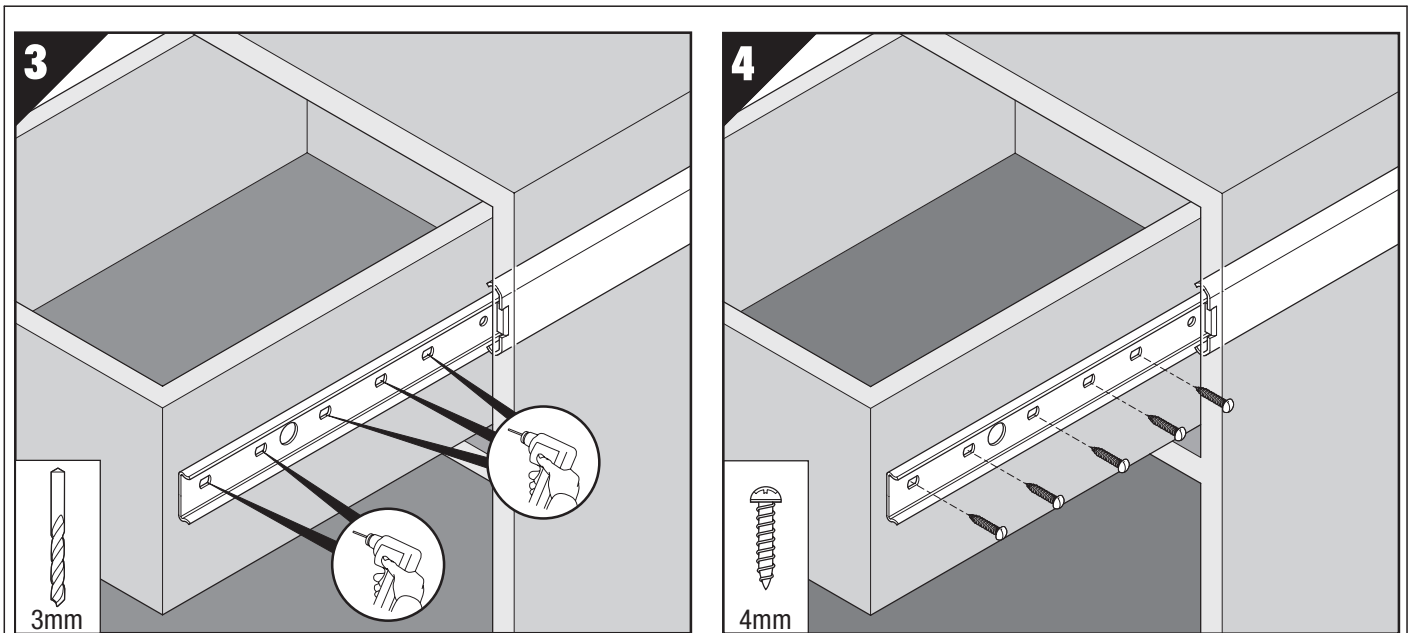


Es sind alle Befestigungspositionen zu verwenden, damit der maximale Lastwert erzielt wird.

All fixings positions must be used to achieve maximum load rating.

Schienenbefestigung 21334-50 Slide installation 21334-50

DE EN



Es sind alle Befestigungspositionen zu verwenden, damit der maximale Lastwert erzielt wird.

All fixings positions must be used to achieve maximum load rating.